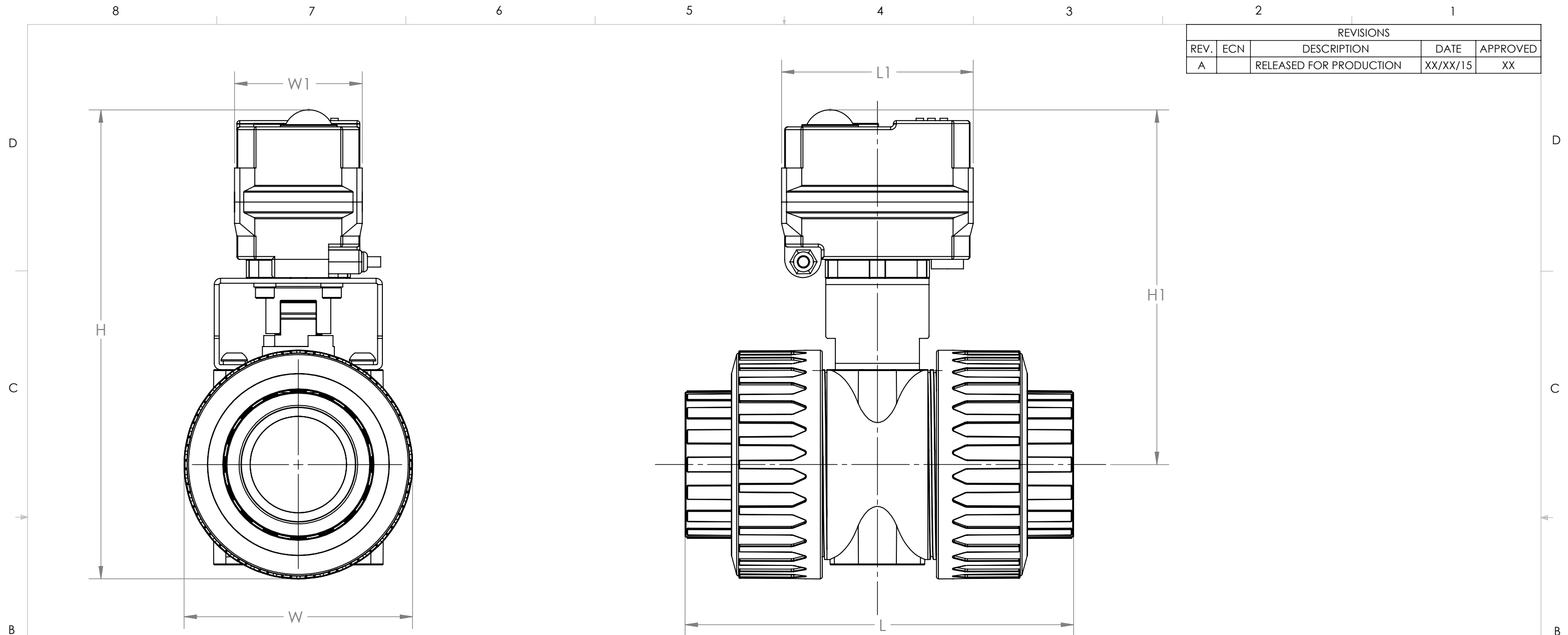


REVISIONS				
REV.	ECN	DESCRIPTION	DATE	APPROVED
A		RELEASED FOR PRODUCTION	XX/XX/15	XX



MODEL	SIZE		L		L1		H		H1		W		W1	
	IN.	DN	IN.	MM.	IN.	MM.	IN.	MM.	IN.	MM.	IN.	MM.	IN.	MM.
EBT646-050	1/2"	15	4.5	114.3	4.0	101.6	6.9	175.3	5.7	144.8	2.1	53.3	2.8	71.1
EBT646-075	3/4"	20	4.9	124.5	4.0	101.6	7.3	185.4	6.0	152.4	2.5	63.5	2.8	71.1
EBT646-100	1"	25	5.6	142.2	4.0	101.6	7.6	193.0	6.1	154.9	2.8	71.1	2.8	71.1
EBT646-125	1-1/4"	32	7.0	177.8	4.0	101.6	8.9	226.1	7.0	177.8	3.8	96.5	2.8	71.1
EBT646-150	1-1/2"	40	7.0	177.8	4.0	101.6	8.9	226.1	7.0	177.8	3.8	96.5	2.8	71.1
EBT646-200	2"	50	8.0	203.2	4.0	101.6	9.8	248.9	7.4	188.0	4.7	119.4	2.8	71.1

**PROPRIETARY AND CONFIDENTIAL**  
 THE INFORMATION CONTAINED IN THIS DRAWING IS THE SOLE PROPERTY OF PLAST-O-MATIC VALVES (POM). ANY REPRODUCTION IN PART OR AS A WHOLE WITHOUT THE WRITTEN PERMISSION OF PLAST-O-MATIC IS PROHIBITED.

DRAWN BY:	NAME	DATE	
CHECKED BY:	M.ZWERIN	6/2/2017	
MATERIAL:			
FINISH:	N/A		TITLE:
SCALE: 1:2	SHEET 1 OF 1		1/2" -2" DIMENSIONS
	SIZE	DWG. NO.	REV
	<b>B</b>	EBT646-050-200 DIM	<b>A</b>